

Mincer AK RAMON P-22



- Totally manufactured in AISI 304 stainless steel.
- Compact and very robust design.
- Plates and knives included.
- Throat removable.
- Steel reducer in oil bath.
- Push hammer.
- Thermal motor protection.
- Hand protection in the tray according to CE.
- Suitable for all types of meats.
- Production: 300 kg/h.
- Three-phase motor power 1.5 HP/1.10 kW.
- Tray dimensions: 310x410x55 mm.
- Net Weight: 37 kg.

Option

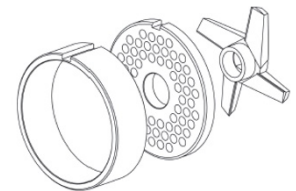
- Single-phase motor 2.5 HP/ 1.83 kW.

Cutting system

- Enterprise aluminium system.
- Enterprise stainless steel system.
- Unger stainless steel system.

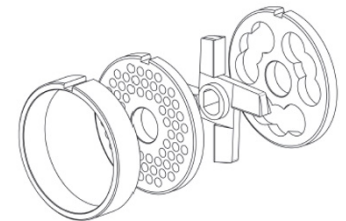
Enterprise Cutting system - Simple cut

| Model | Ø Throat | Plate and knives |
|-------|----------|----------------------------------|
| P-22 | 83 | 1 Knife simple cut 1 Plate Ø5 |



Unger Cutting system - Double cut

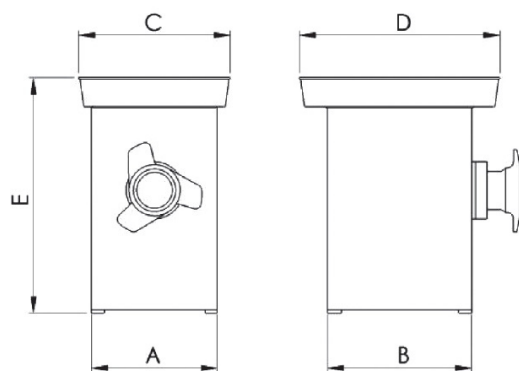
| Model | Ø Throat | Plate and knives |
|-------|----------|--|
| P-22 | 83 | 1 Plate pre-cut 3 eyes 1 Knife double cut 1 Plate Ø5 |



Technical information

| | P-22 |
|--------------------------------|-------------|
| Production | ± 300 |
| Three-phase motor power HP/Kw | 1.5/1.1 |
| Single-phase motor power HP/Kw | 2.5/1.83 |
| Packaging dimensions (mm) | 595x350x520 |
| Net/Gross weight (kg) | 37/40 |

Dimensions in mm



| | A | B | C | D | E |
|------|-----|-----|-----|-----|-----|
| P-22 | 250 | 295 | 310 | 410 | 473 |